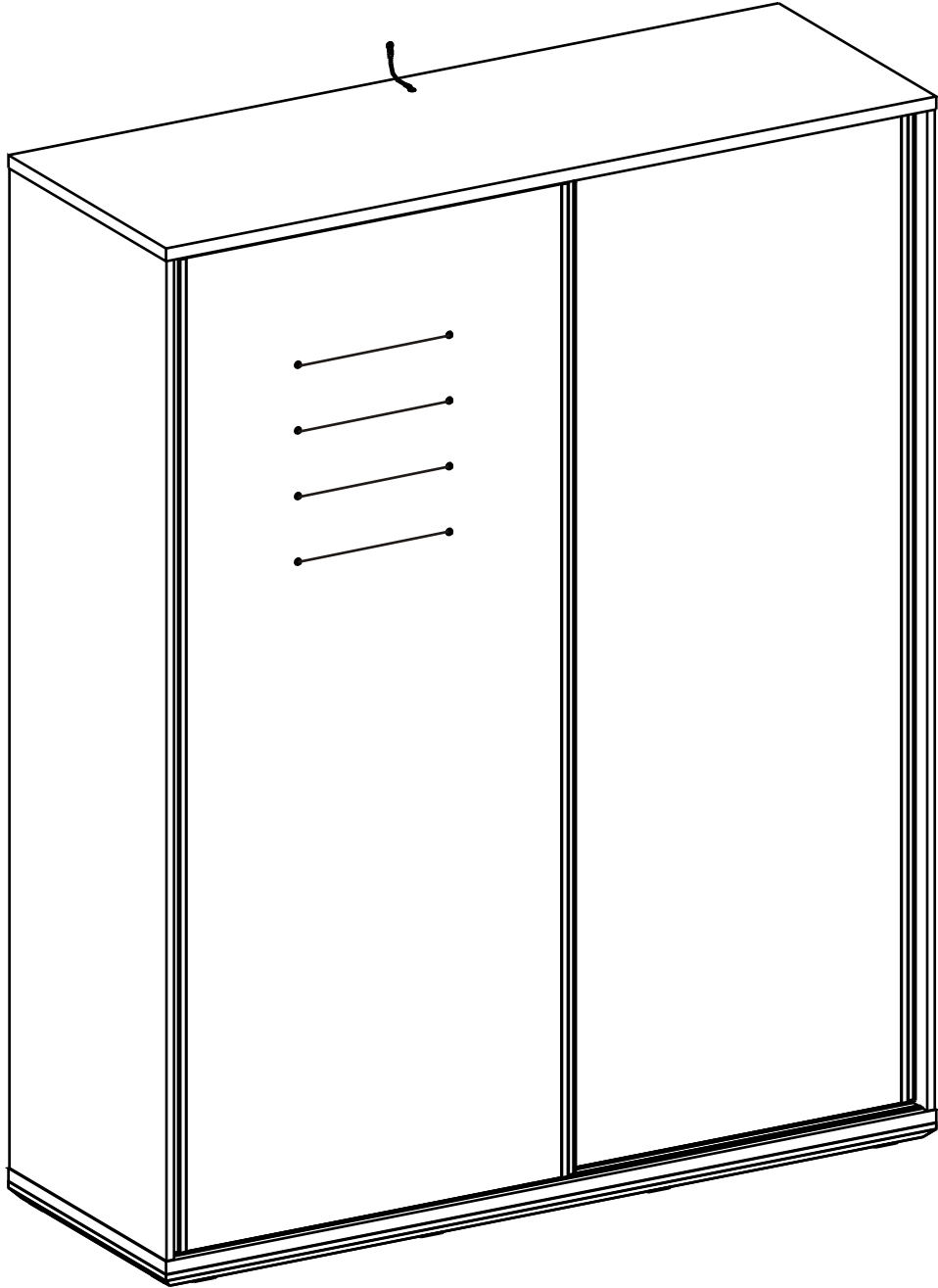
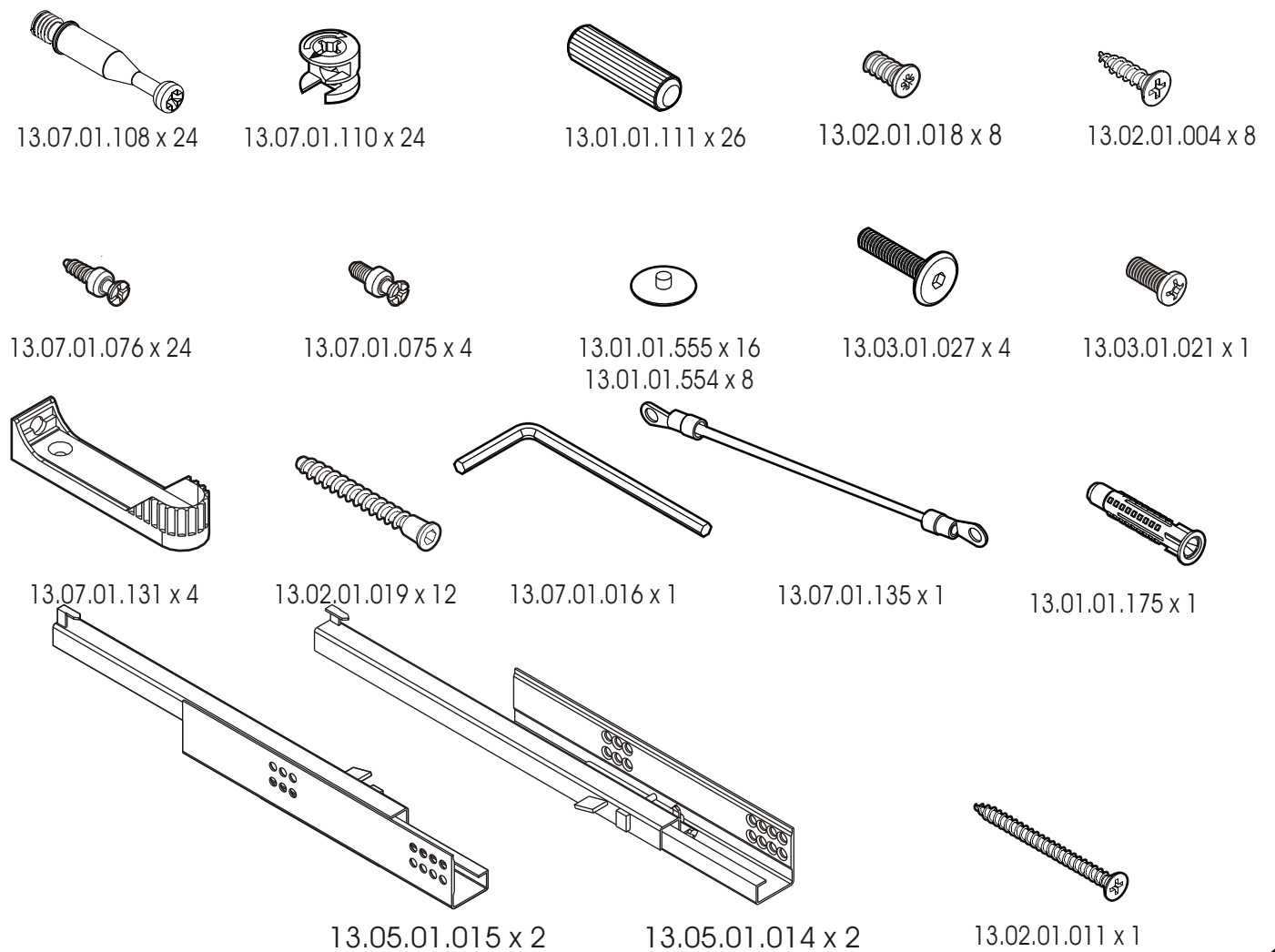
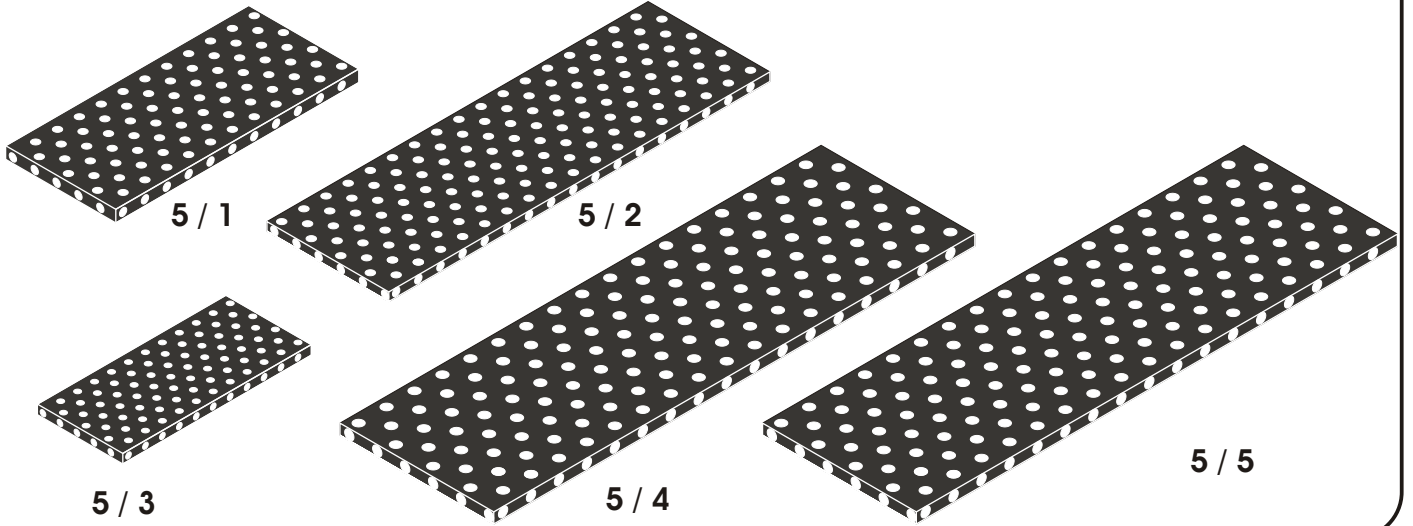
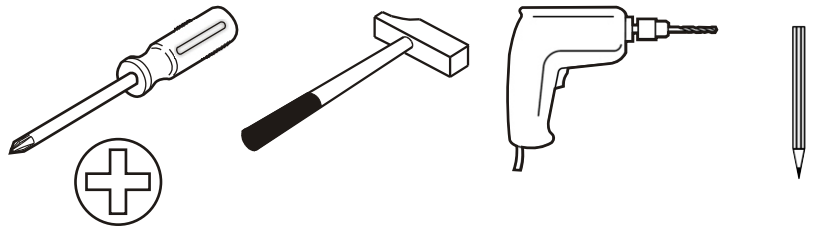
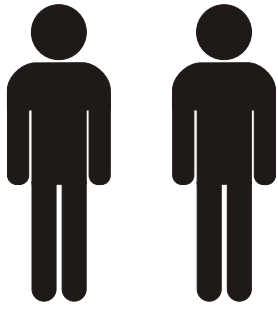
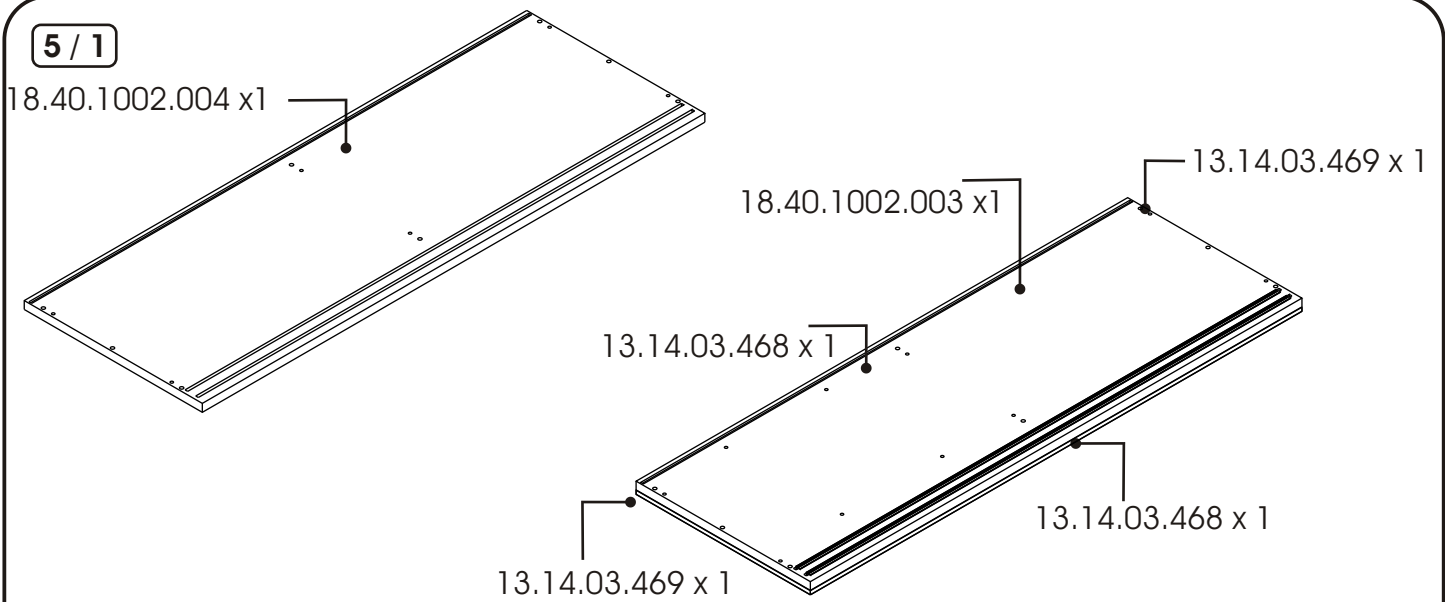


20.40.1002.00

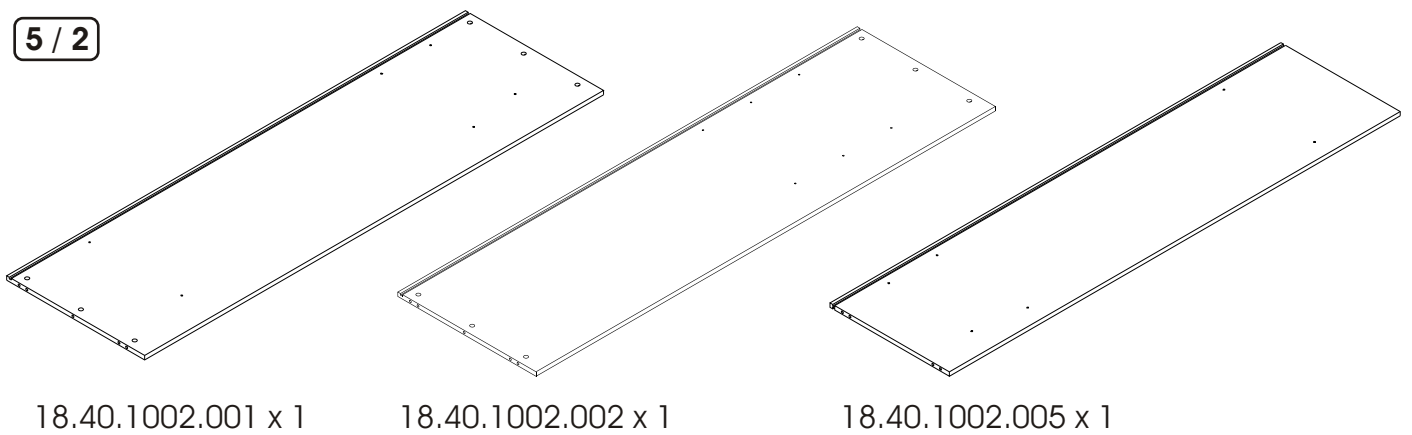




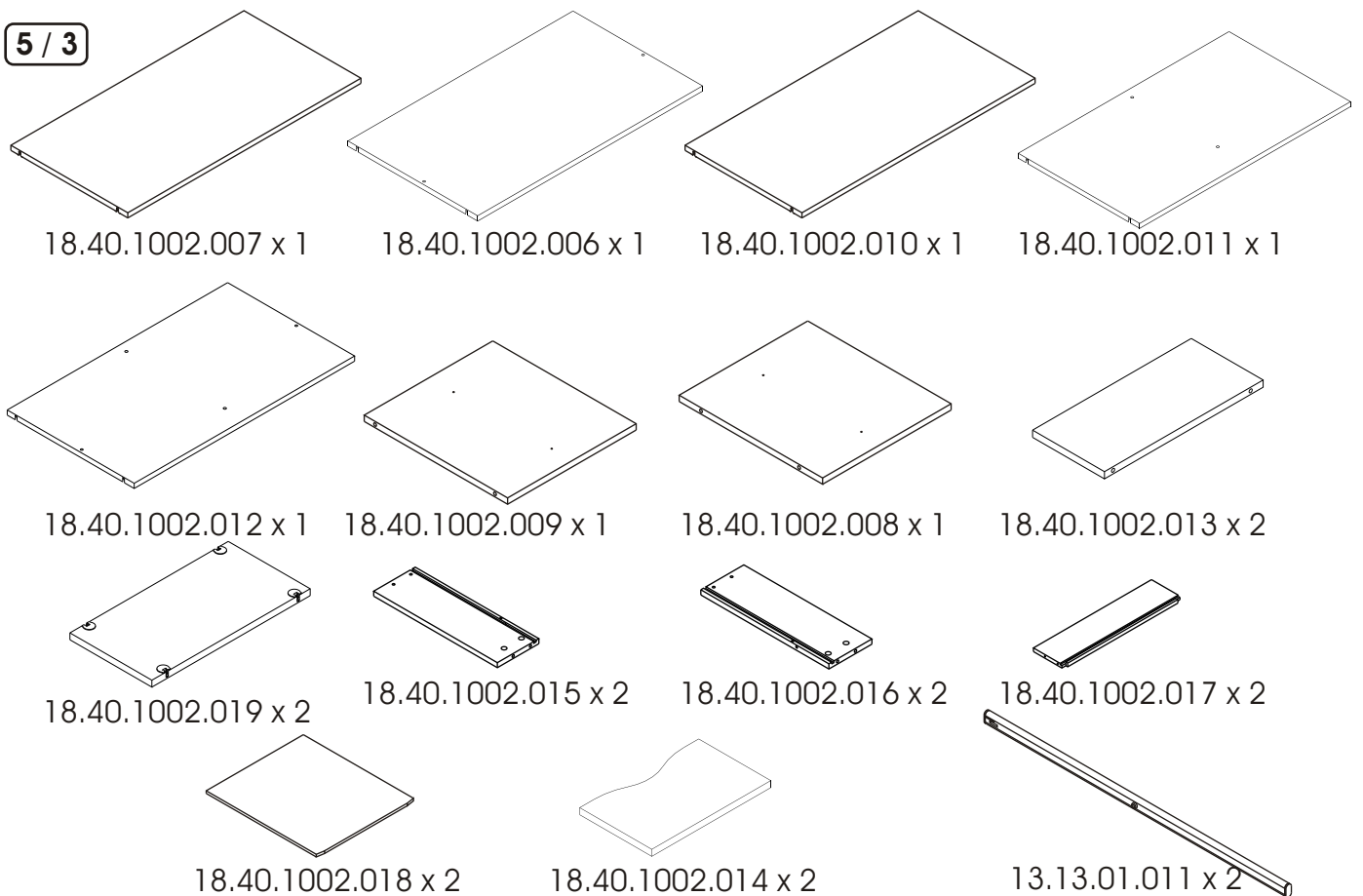
5 / 1



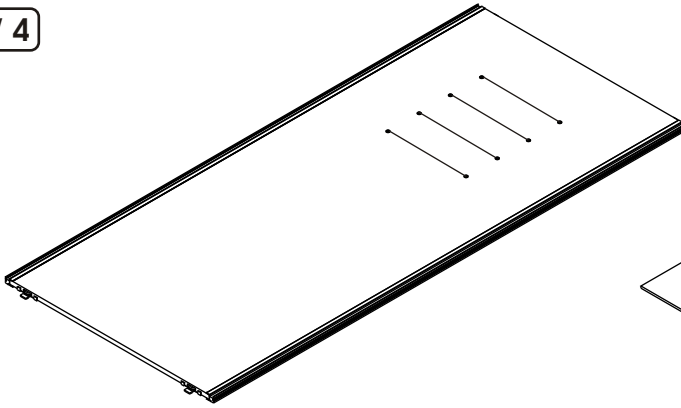
5 / 2



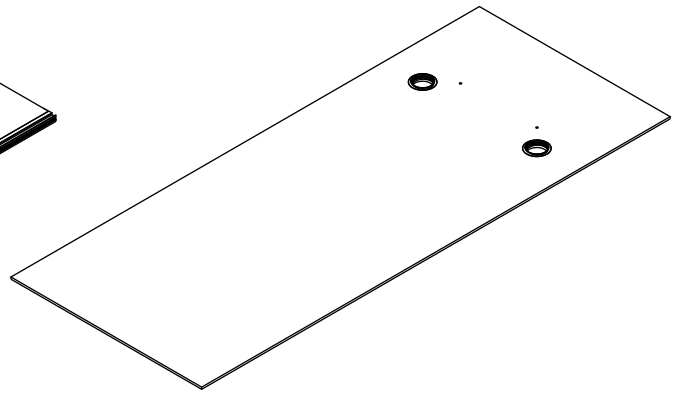
5 / 3



5 / 4

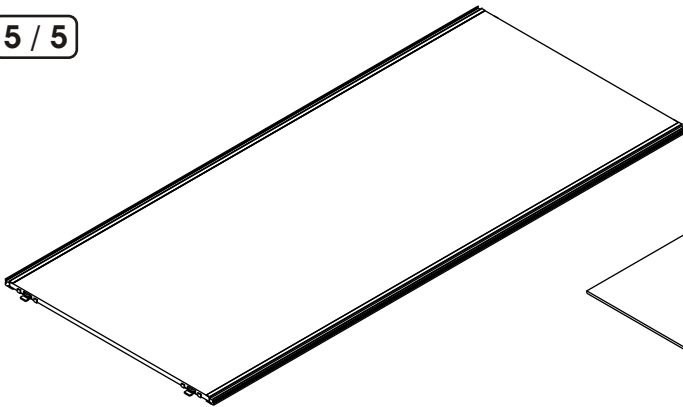


18.40.1002.022 x 1

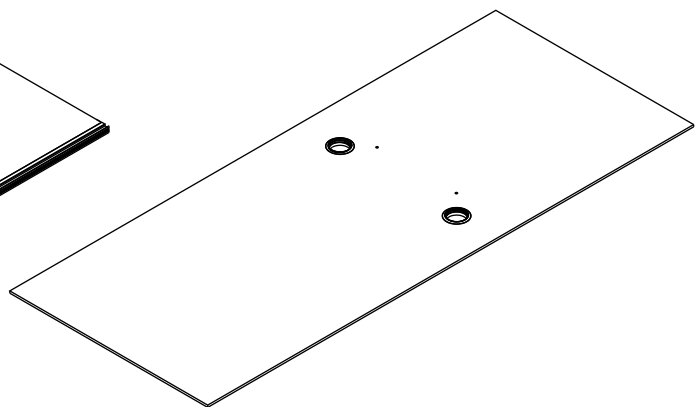


18.40.1002.020 x 1

5 / 5

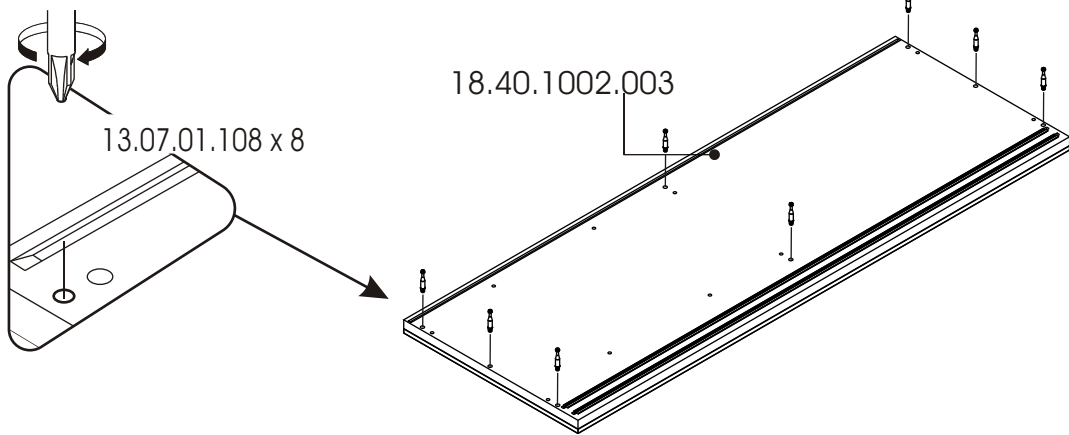


18.40.1002.023 x 1

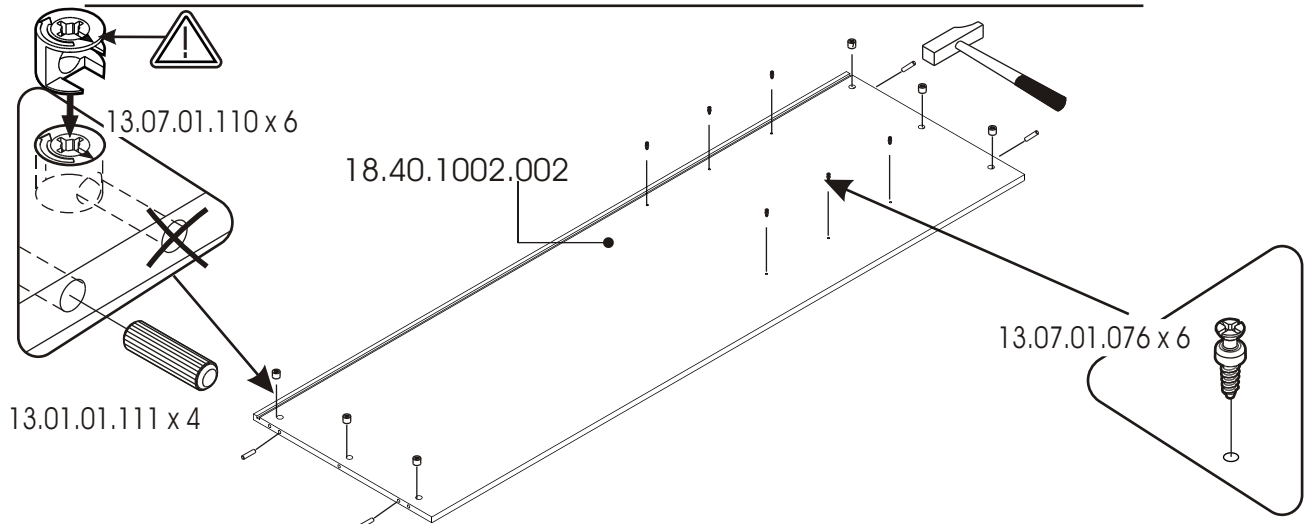


18.40.1002.021 x 1

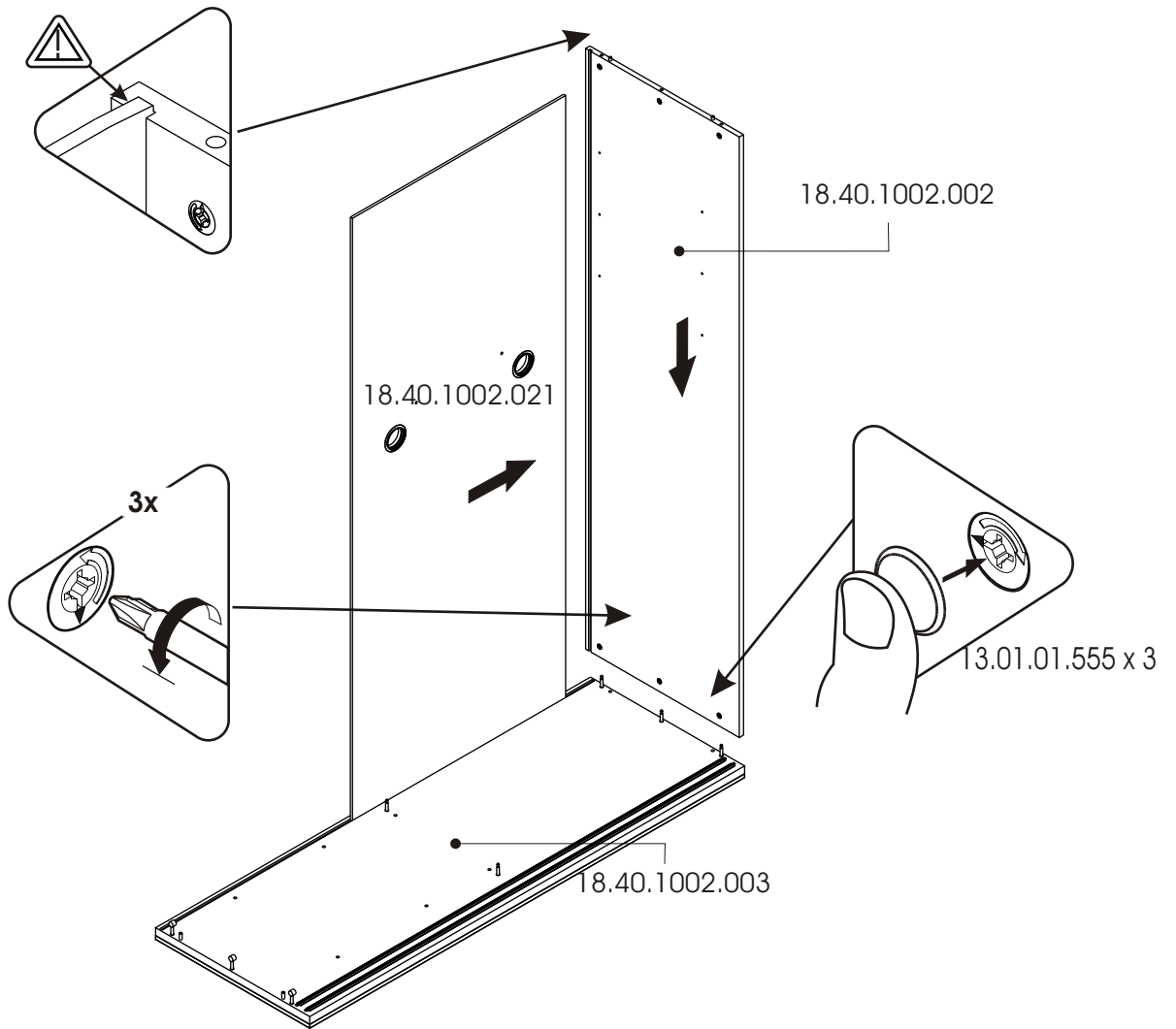
1



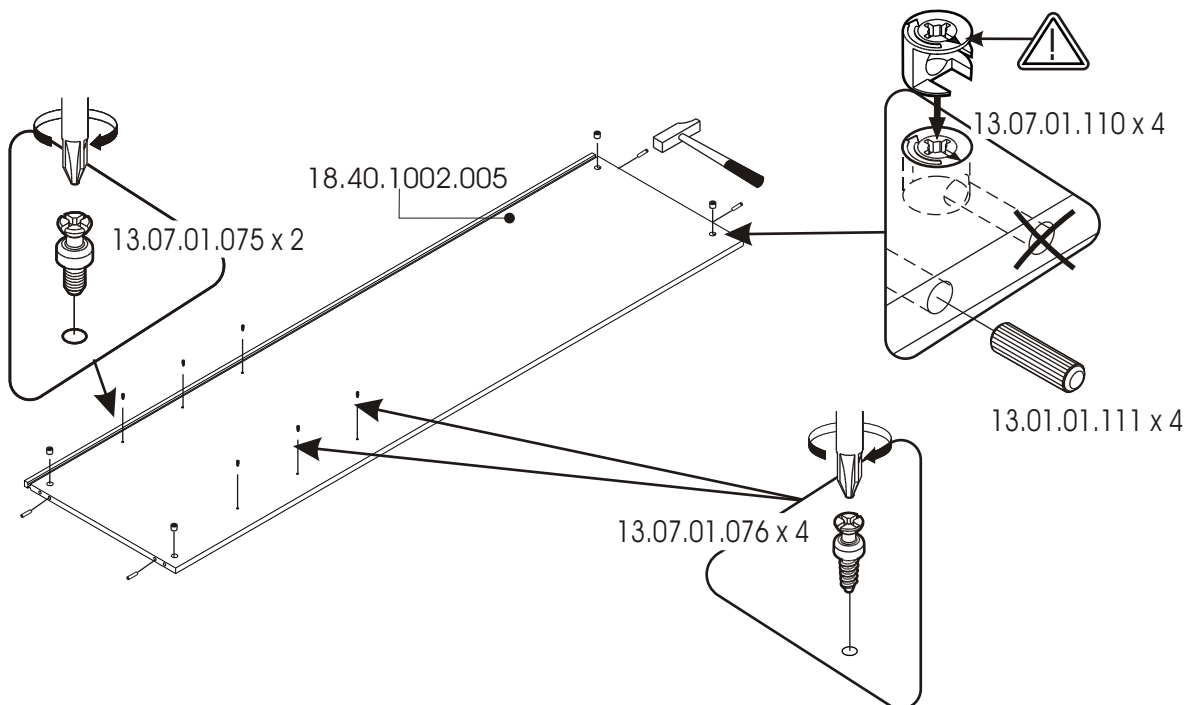
2



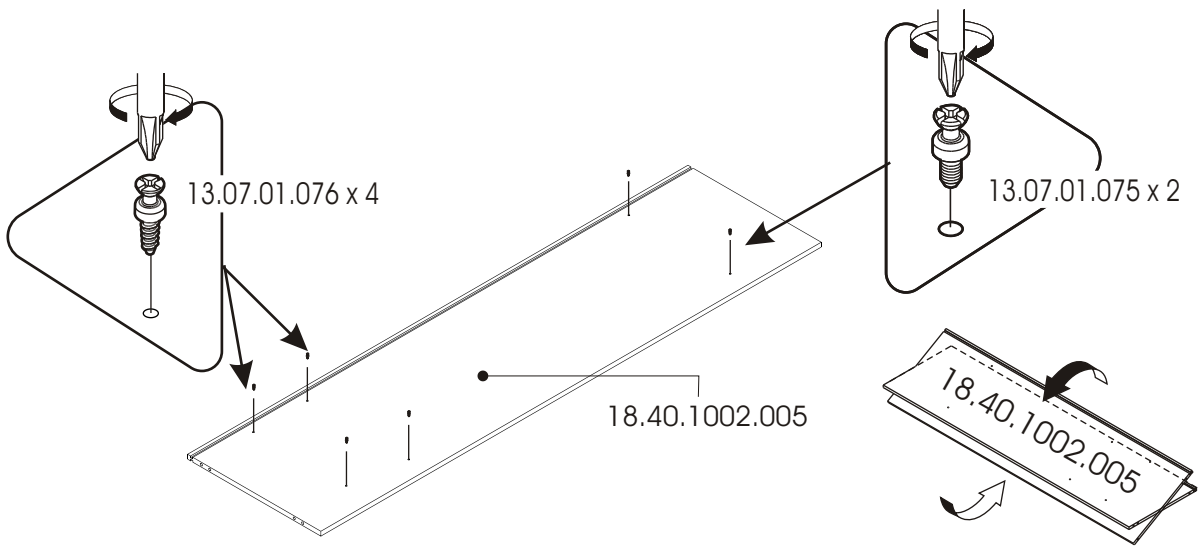
3



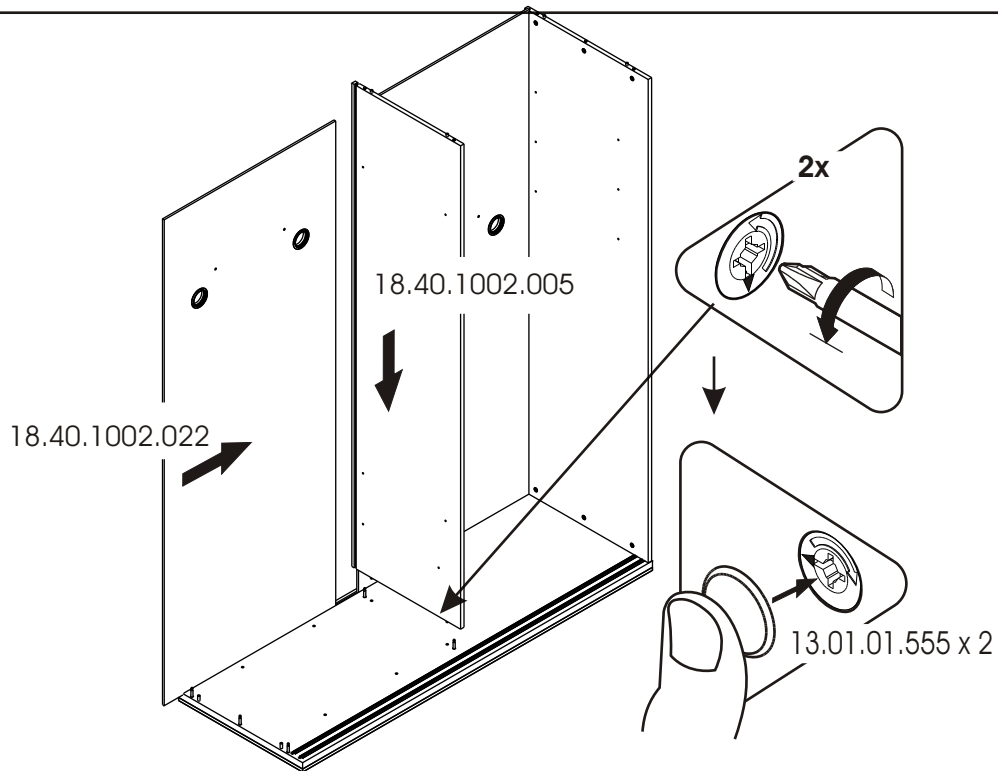
4



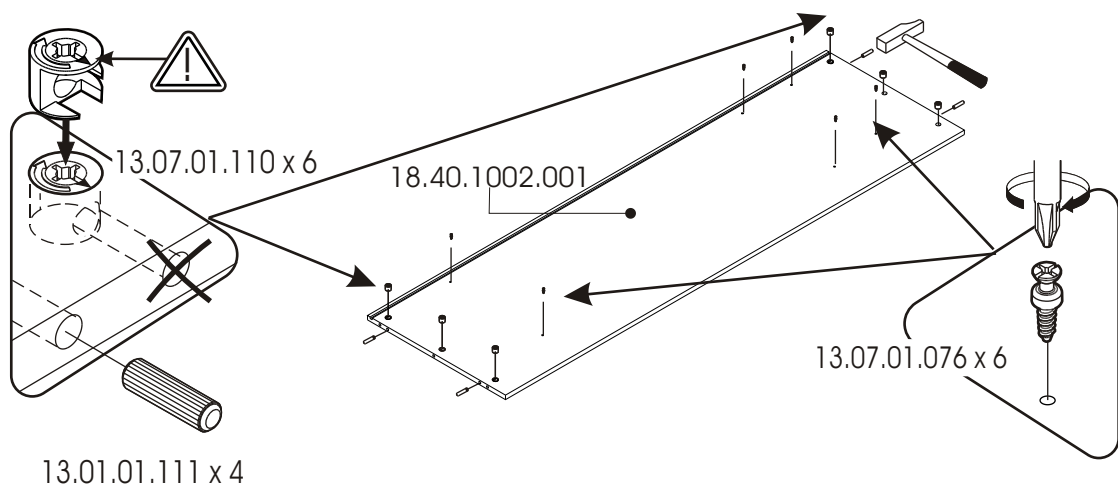
5



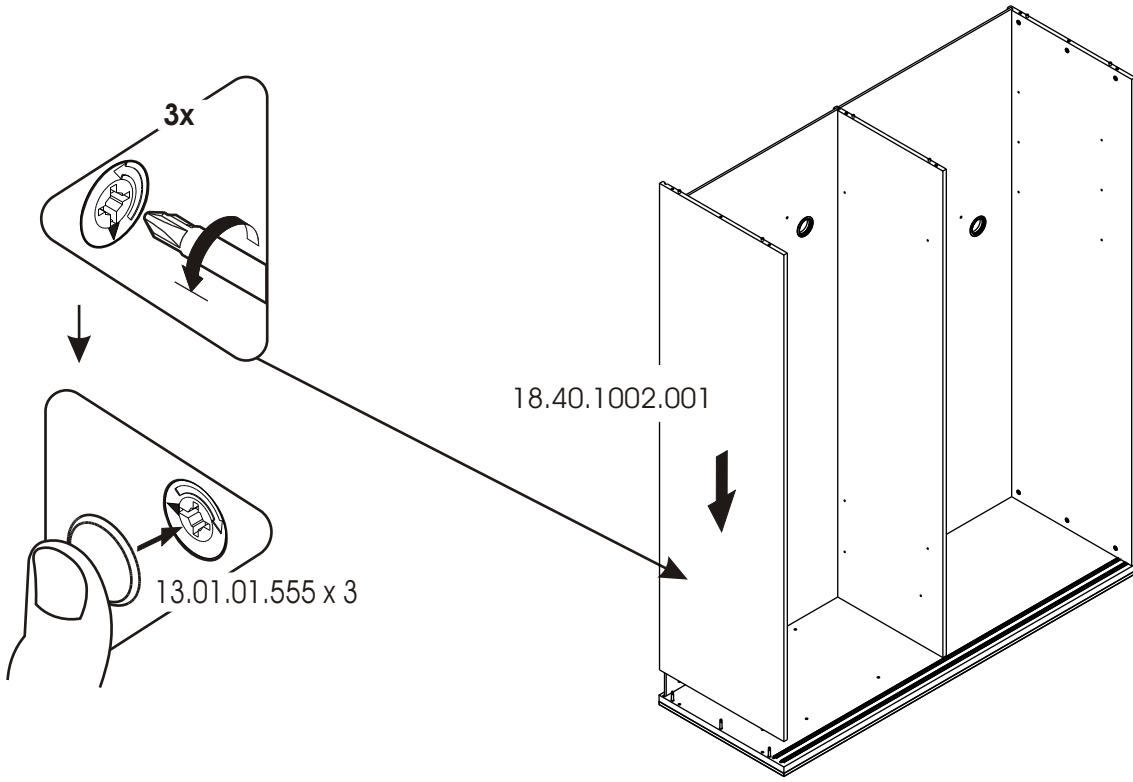
6



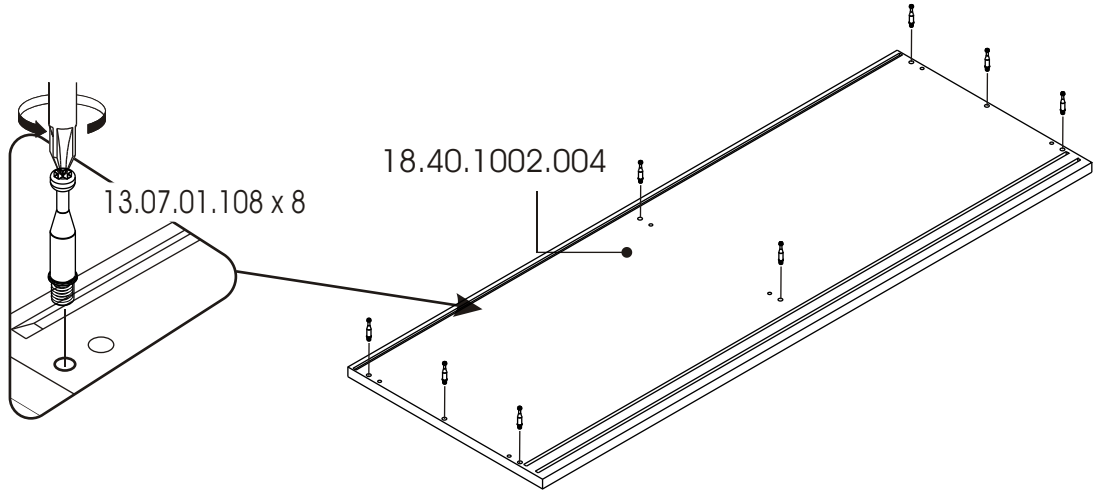
7



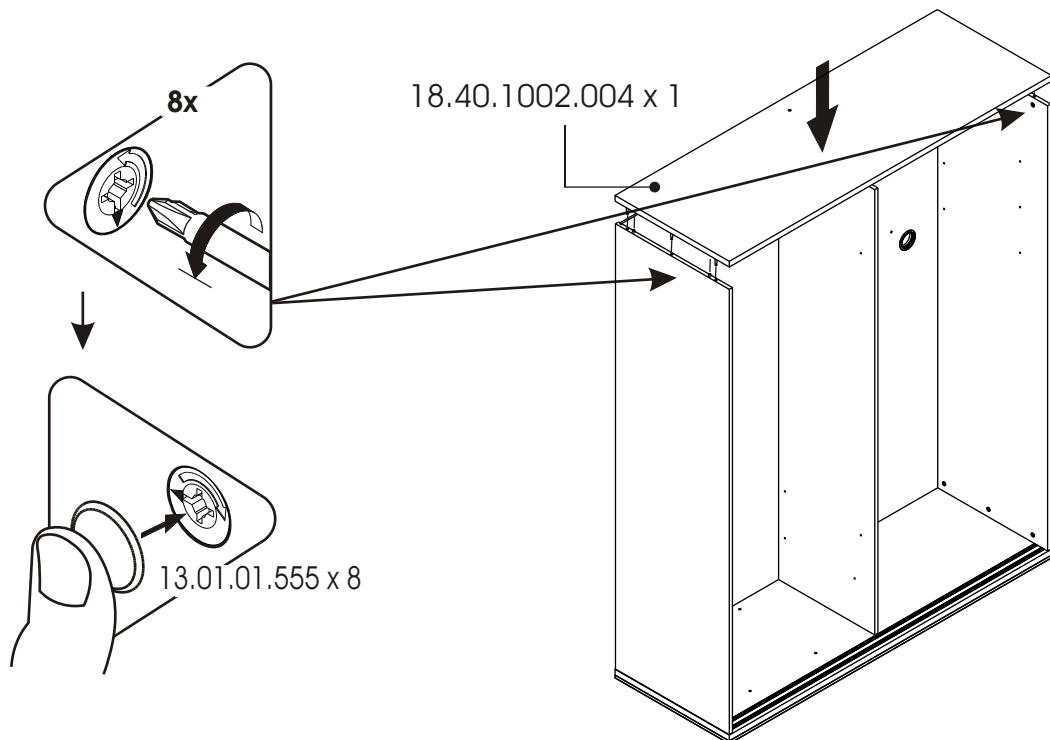
8



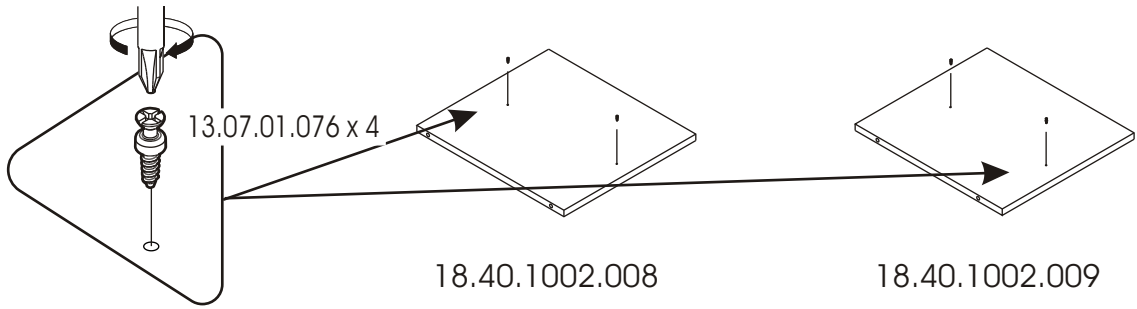
9



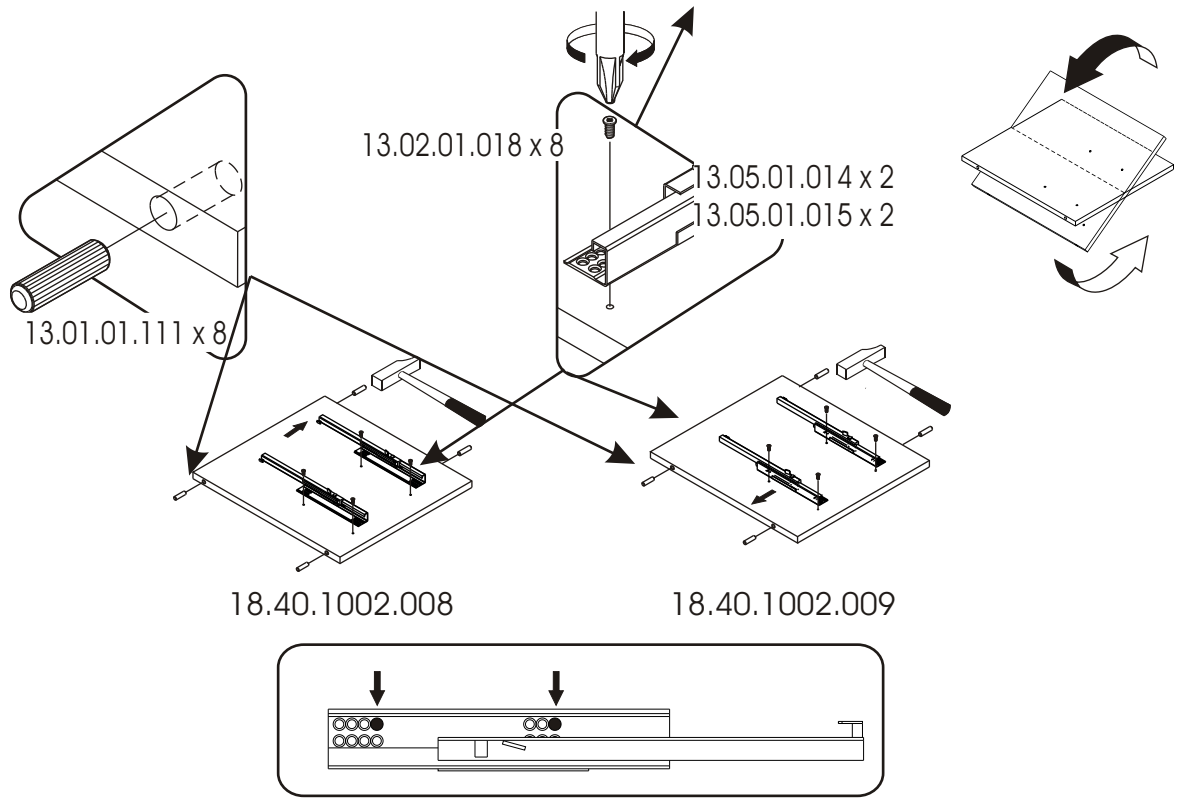
10



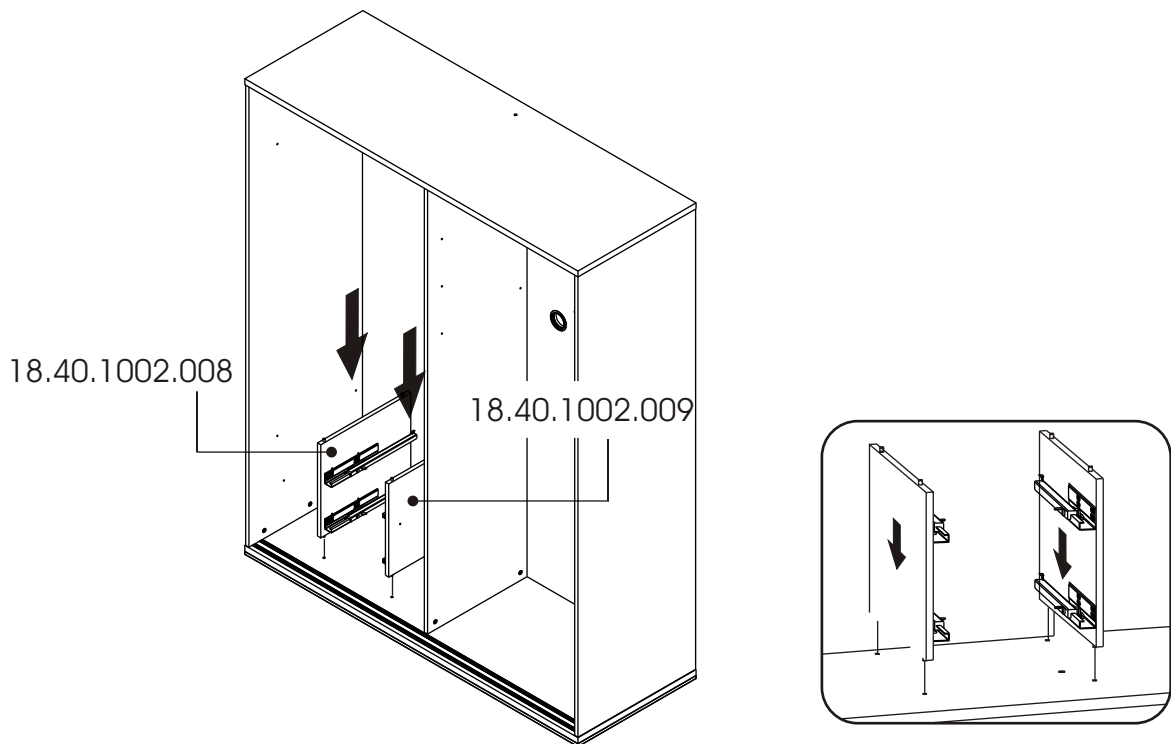
11



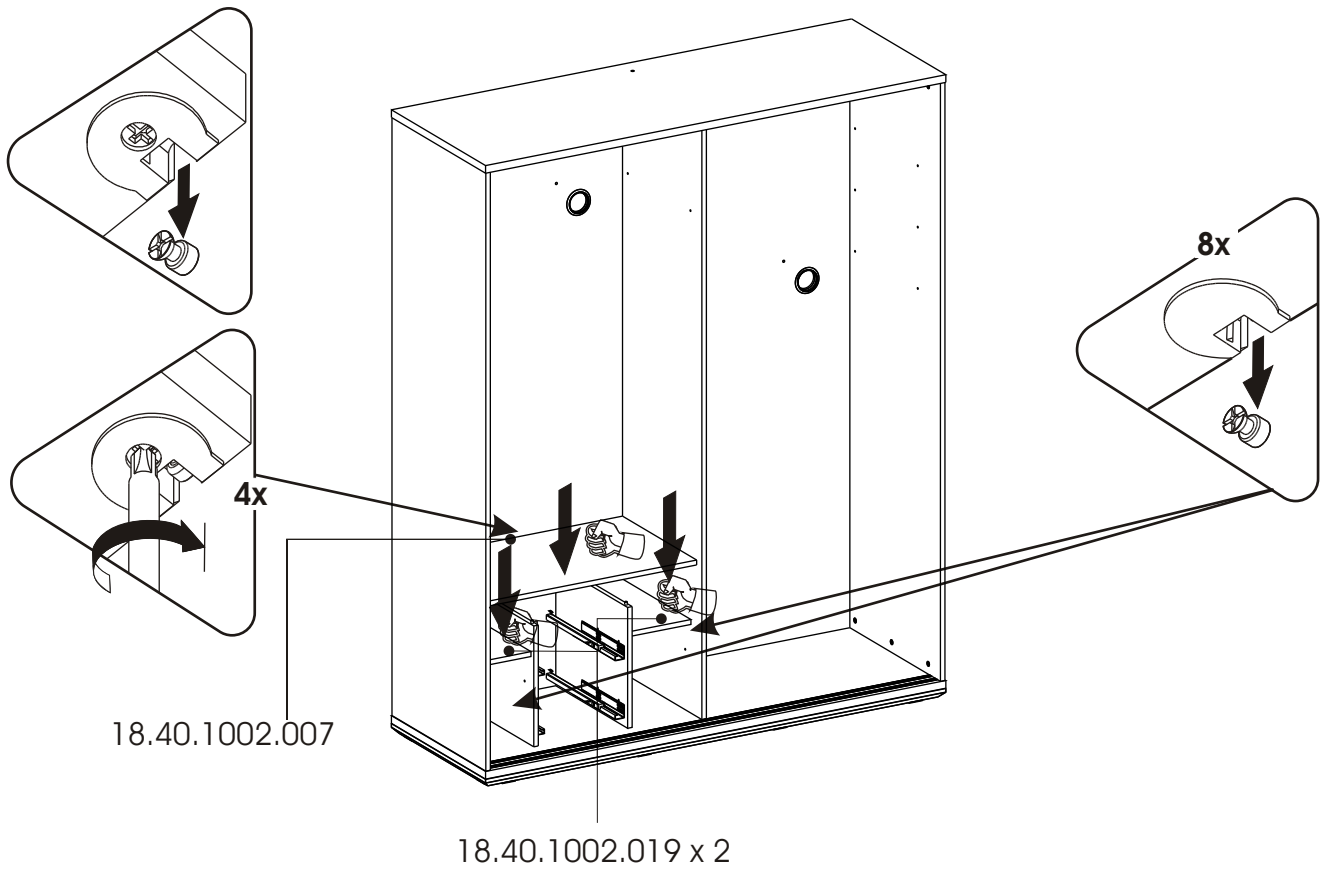
12



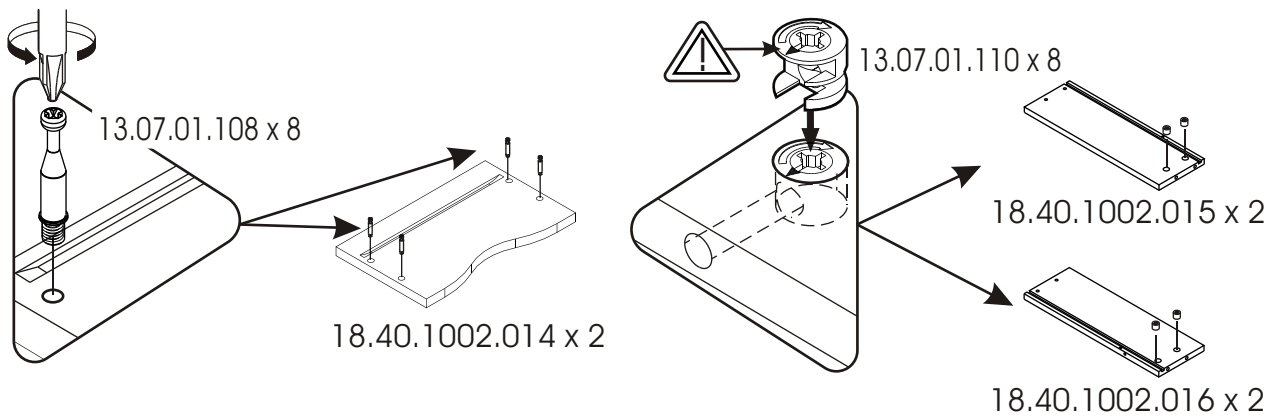
13



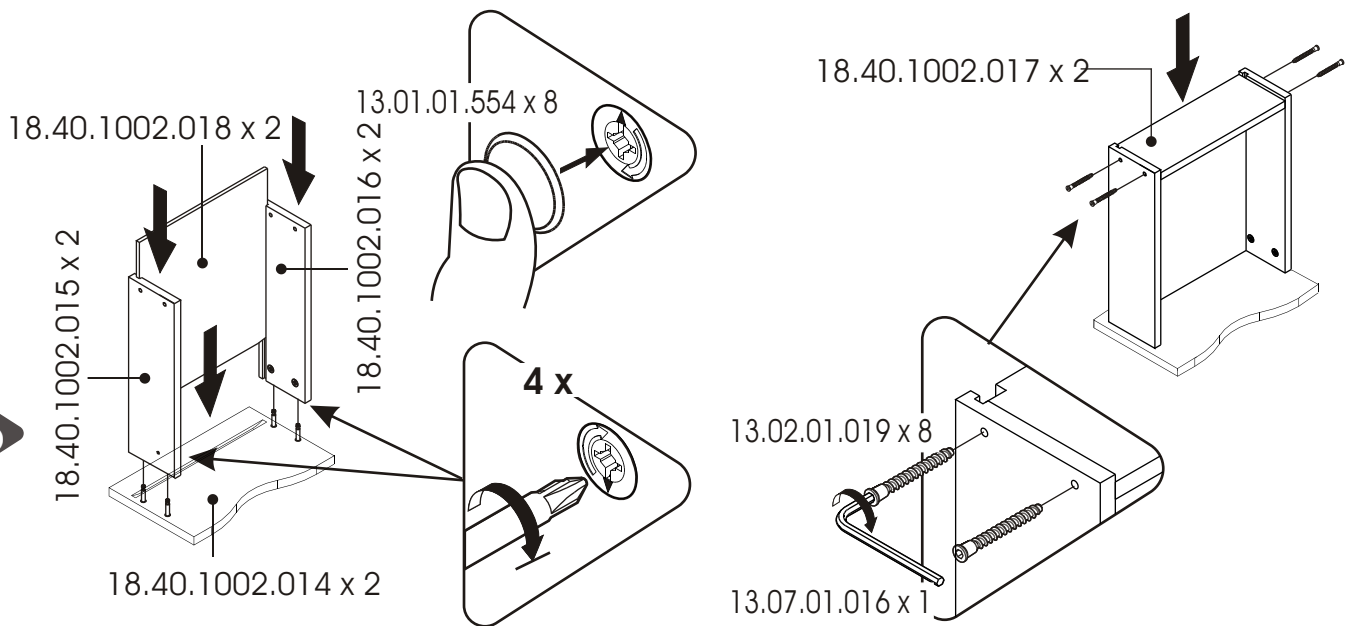
14



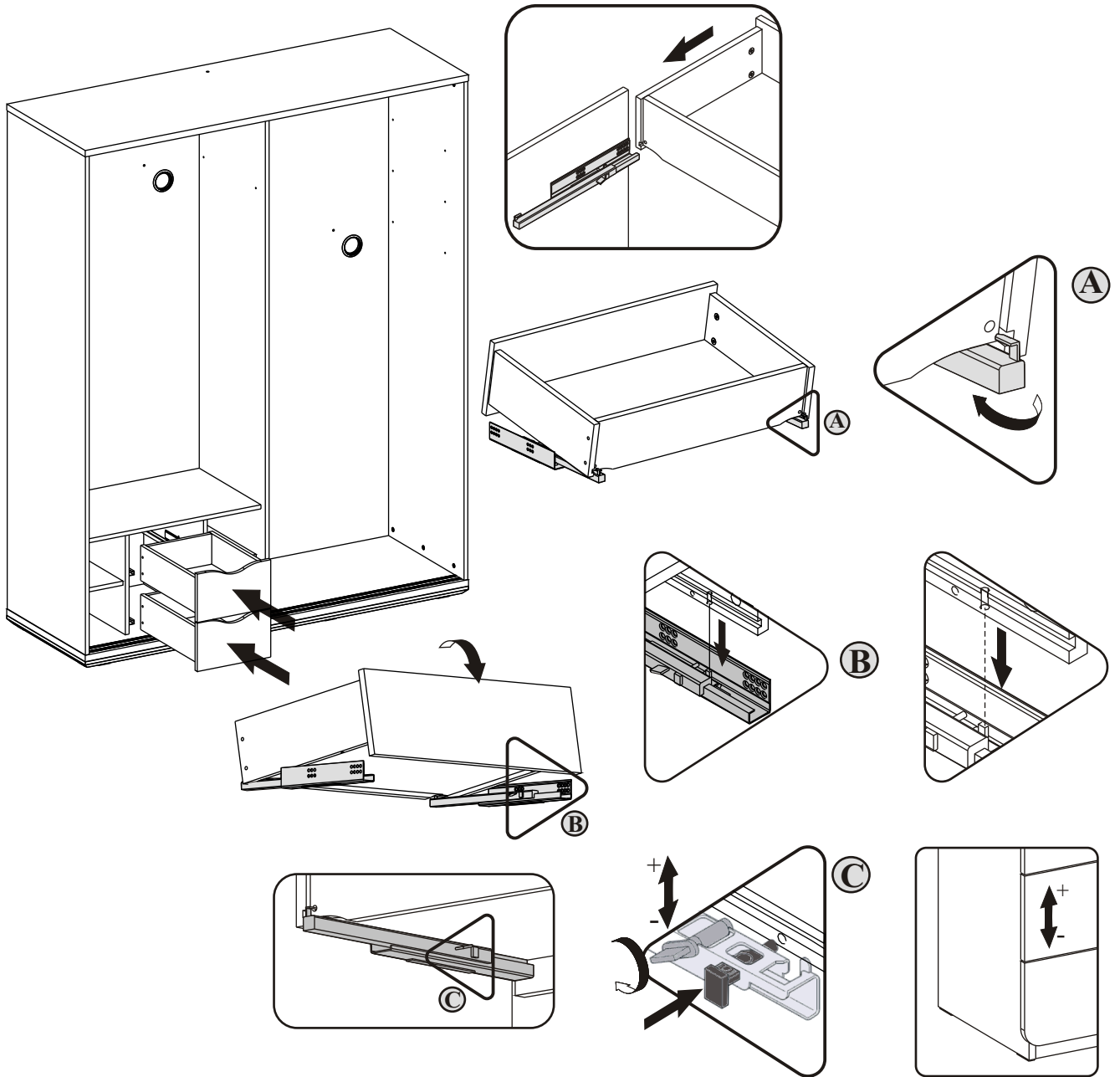
15



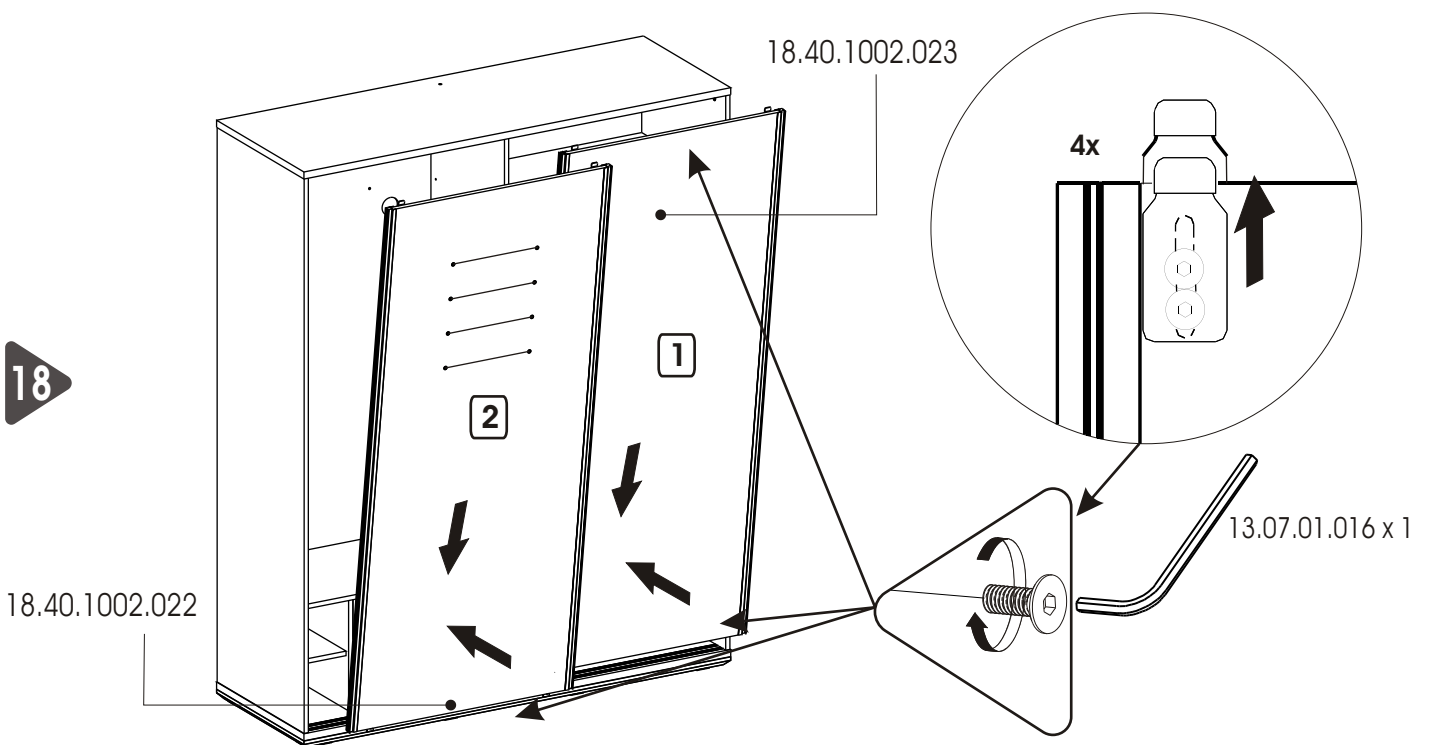
16



17

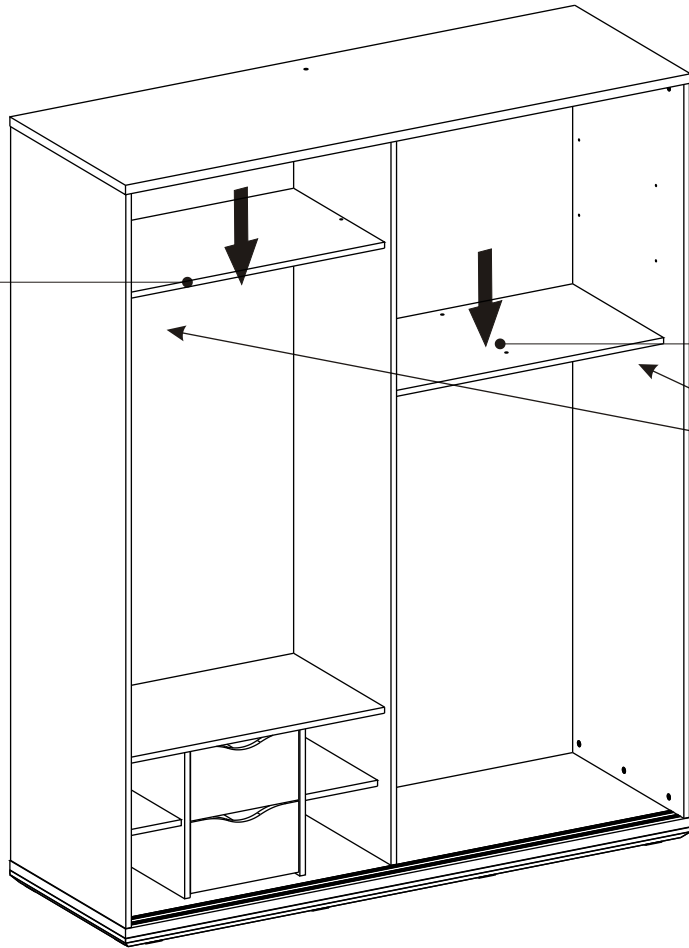


18

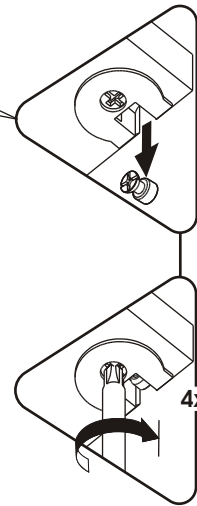


19

18.40.1002.006

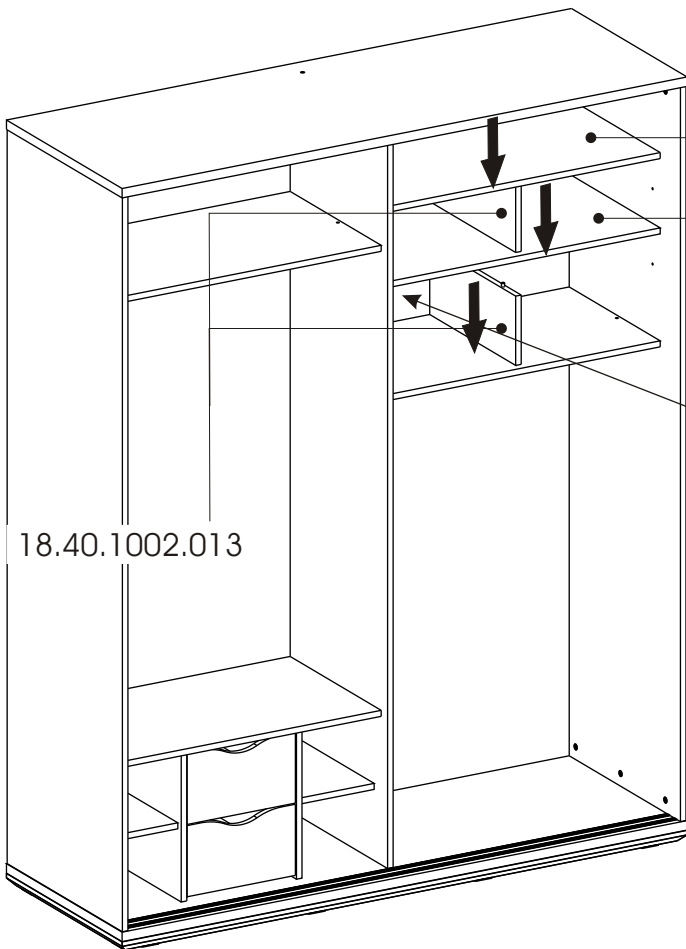


18.40.1002.012



20

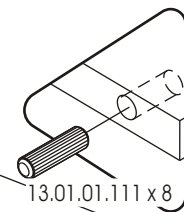
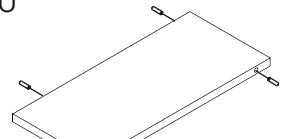
18.40.1002.013



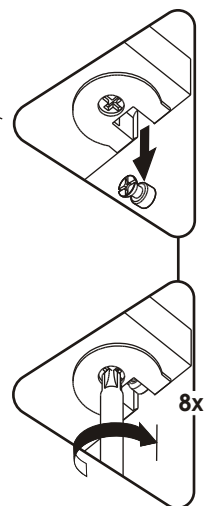
18.40.1002.010

18.40.1002.011

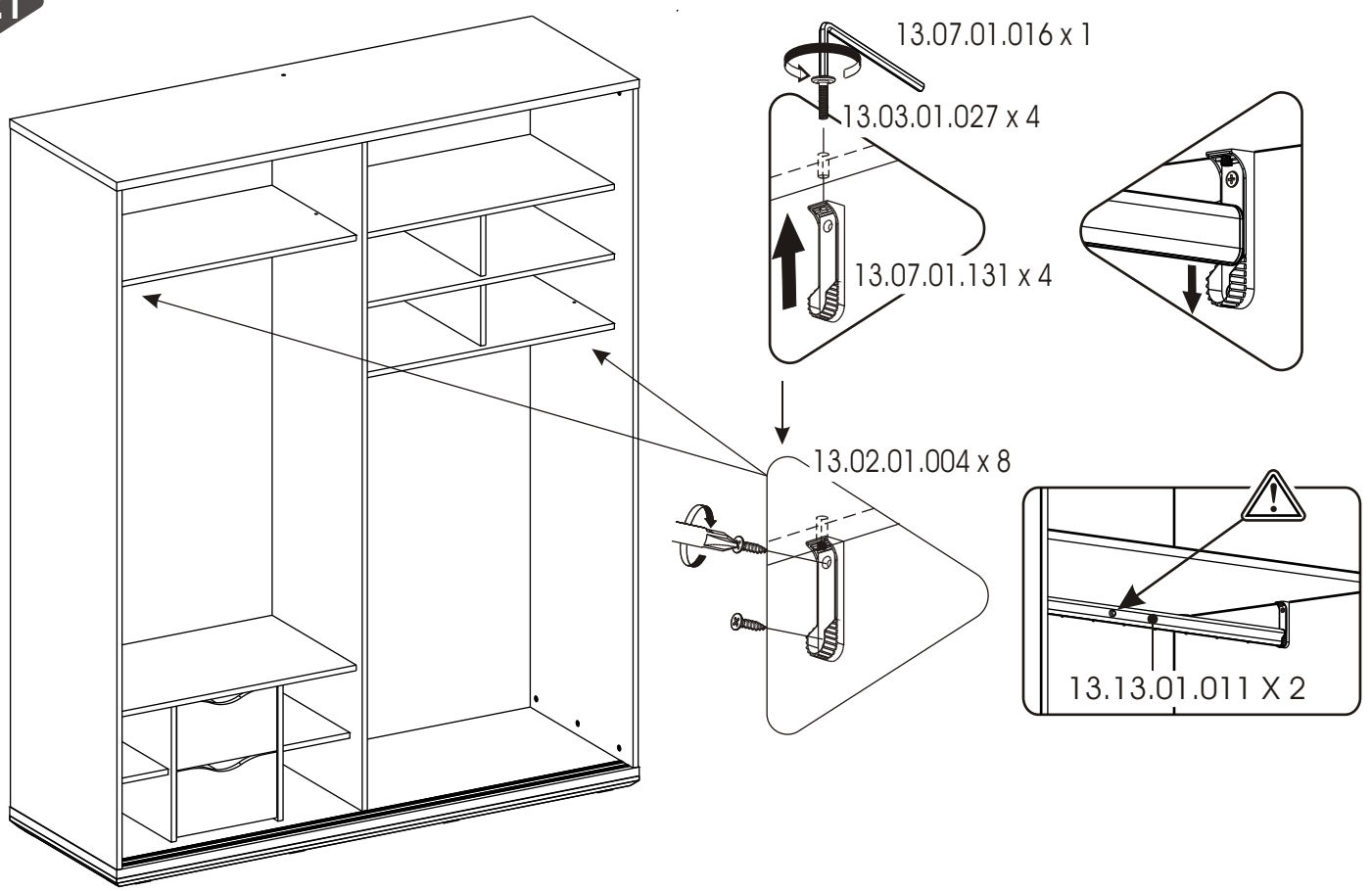
18.40.1002.013 x 2



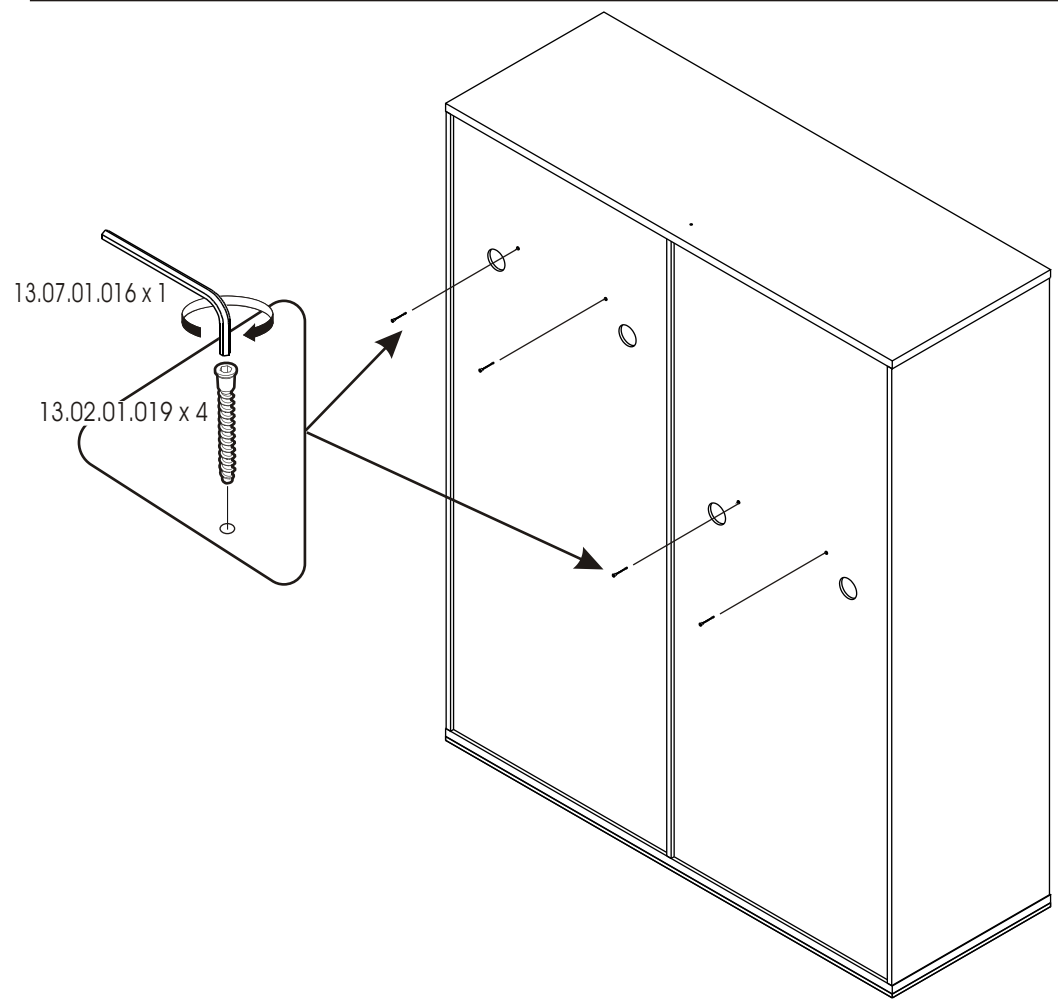
13.01.01.111 x 8

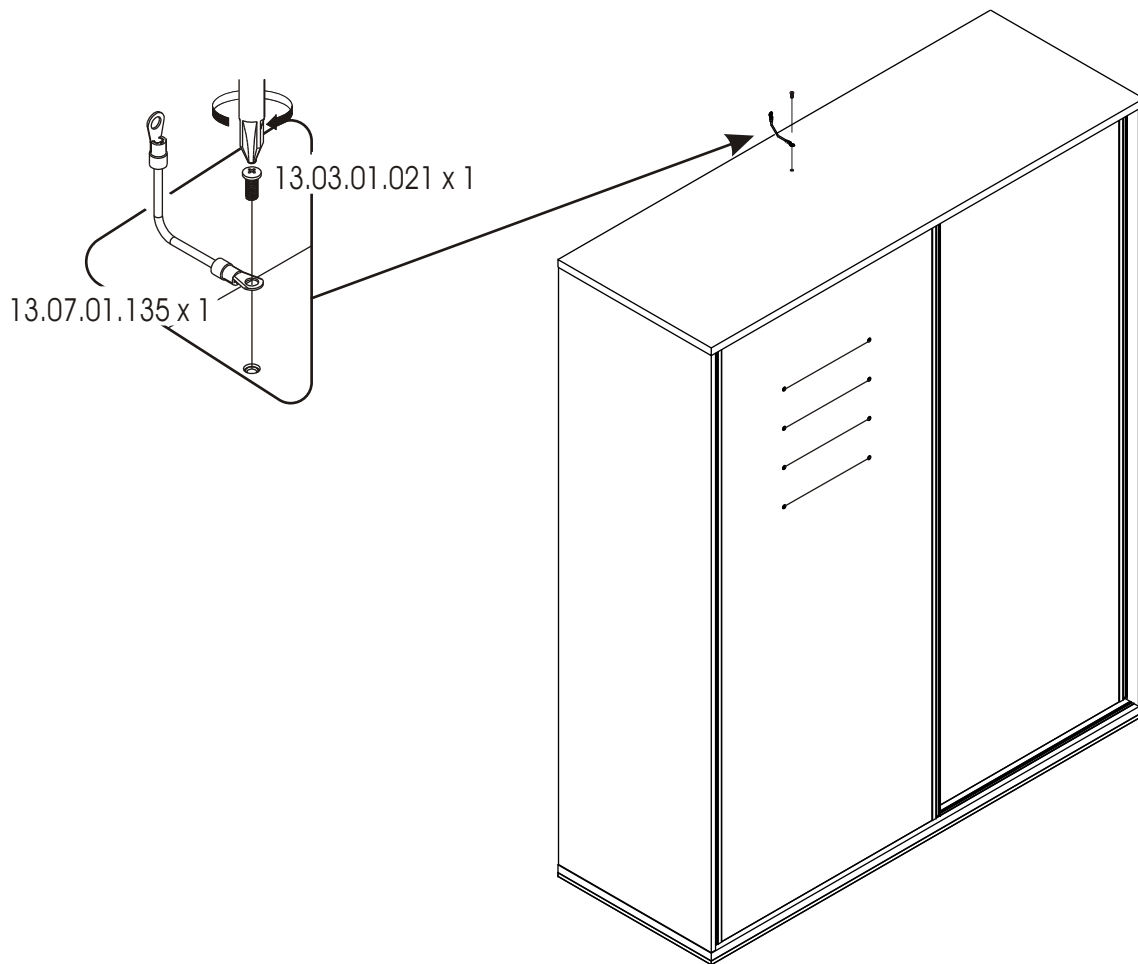


21

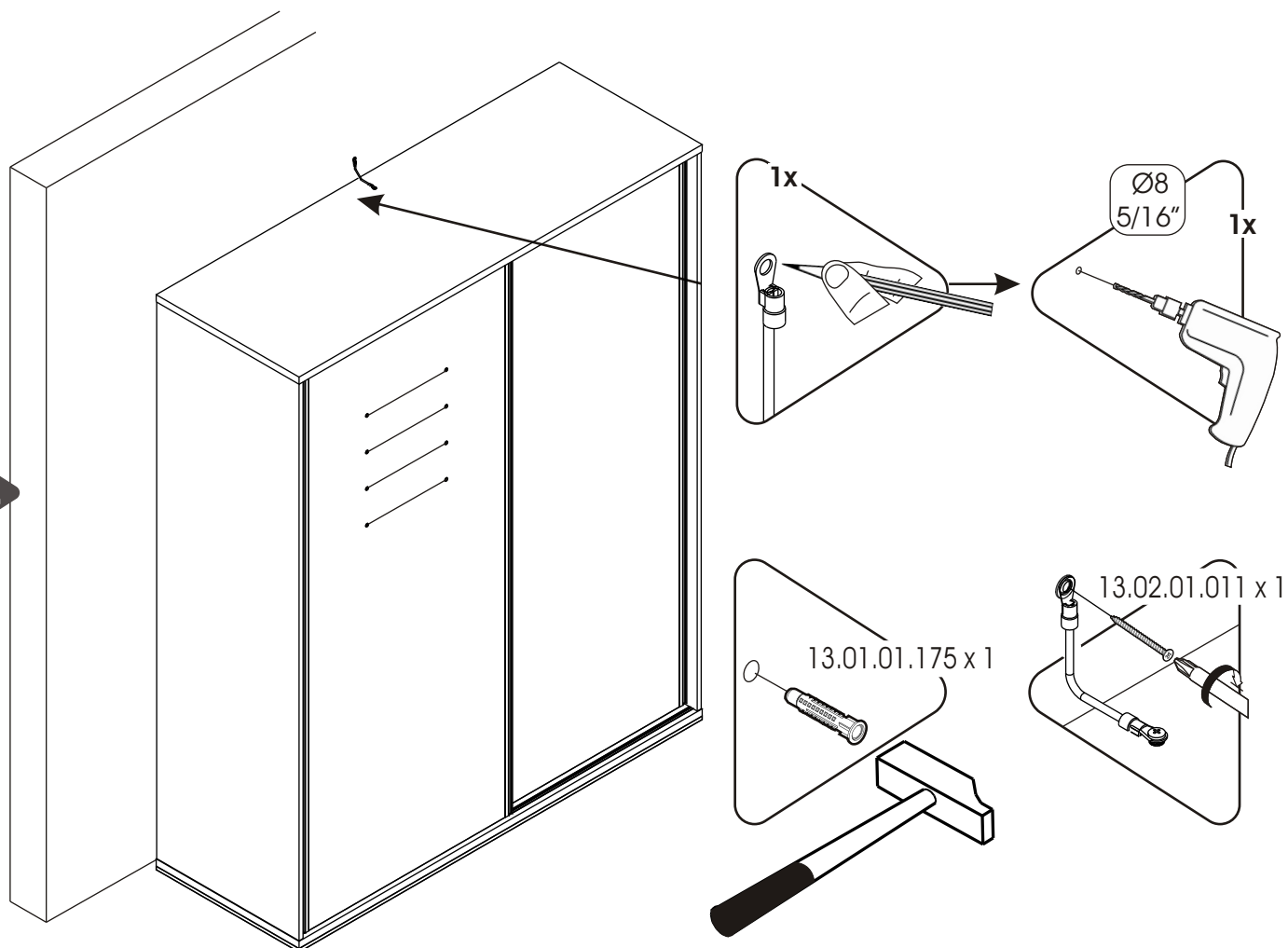


22





23



24